

5. EXPLODED VIEWS AND PARTS LIST

[MATERIAL CODE STANDARDS]

Material codes and names and their respective naming rules are managed in accordance with the prescribed standards.

Please refer to these standards when requesting a material.

1. Material Code Type:

●: Number

■: Letter (Alphabet)

Type 1	●●●●-●●●●●●		Enterprise-wide parts Type 1 materials can be used for all Samsung Electronics products. (Most electrical parts belong to this type.)
	ex) 0204-000418	FREON	
Type 2	■●●●-●●●●●■		Division-wide parts (DC**-Washing machine) Type 2 materials can be used for specific products. (Most instruments and tools belong to this type.)
	ex) DC96-01390A	ASSY-CONTROL	

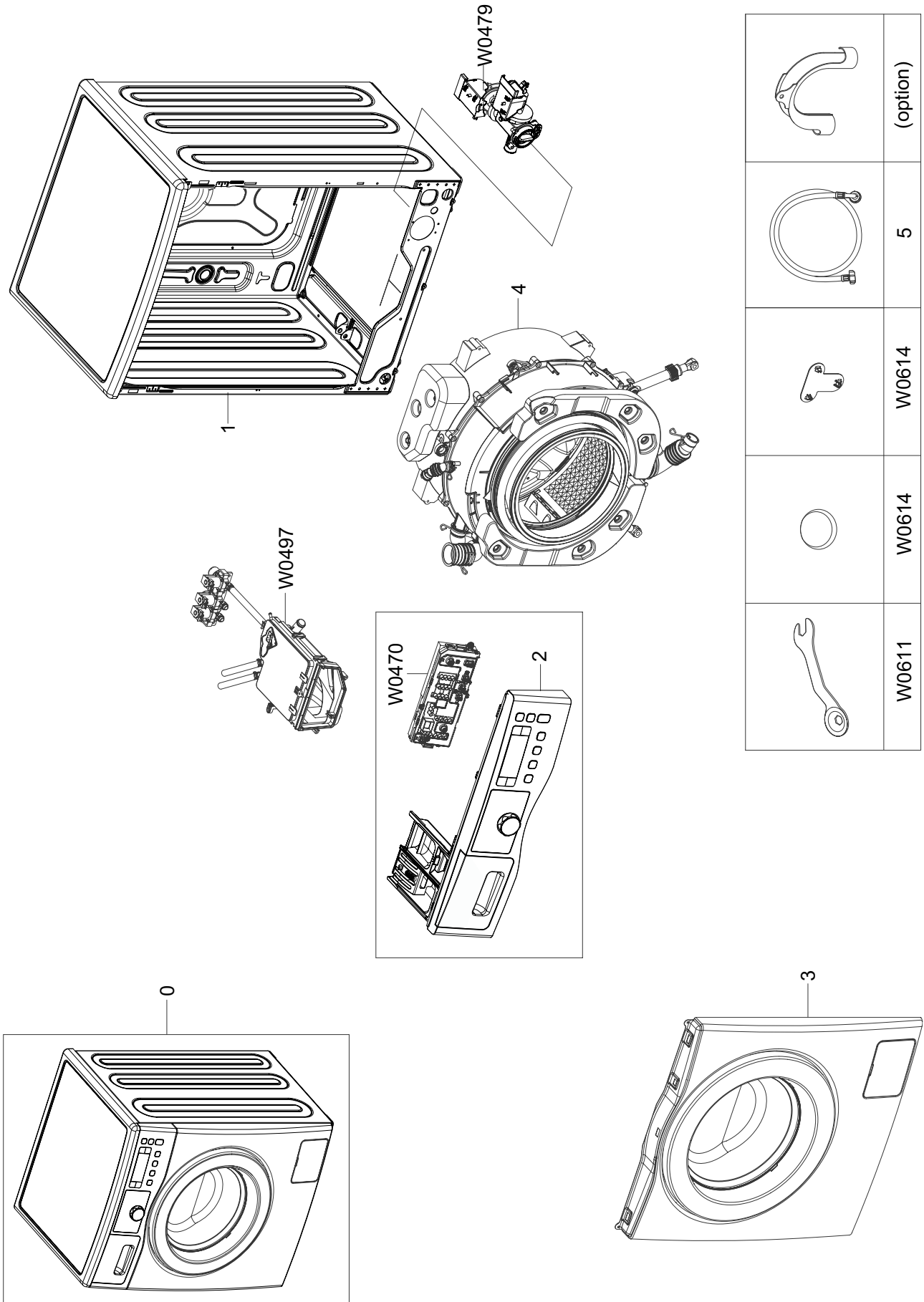
2. Ass'y Materials






All ass'y material codes start with DC9*.

An ass'y material is created by combining more than two materials. If a requested material cannot be provided, you can request an ass'y material that contains that material.

MEMO

5-1. Main



	W0611		
	W0614		
	W0614		
	5		
	(option)		

Material list to main parts, Model name: WF0600WJV/YAH

Service Bom (SA: SERVICE AVAILABLE, SNA: SERVICE NOT AVAILABLE)

SVC Code	Code No.	Description	Specification	QTY	Un	SA/SNA
W0611	DC60-40146A	BOLT-SPANER	-,CR,-,T2.5,OD36,-,-,-,-	1	PC	SA
W0614	DC67-00208A	CAP-FIXER	J1453GW/XEU,PP,1.5mm,-,-,NTR,-	1	PC	SA
W0614	DC67-00251A	CAP-FIXER	SEW-6HR115B,PP,-,-,-,-,META2-P	4	PC	SA
W0470	DC92-00520D	ASSY PCB MAIN	AEGIS3 BETTER,WF0600WJV/ YAH,6.0KG, 1000RPM,220V 50HZ,Y,SMPS	1	PC	SA
W0479	DC61-02505A	CASE-PUMP	SUNNY-PJT,PP,T2.5,WHITE	1	PC	SNA
W0497	DC97-16404A	ASSY S.HOUSING DRAWER	AEGIS3,WF0602WQQ/X	1	PC	SNA
5.1-0	WF0702WKN (U)/XTL	SET	-	1	-	-
5.1-1	-	FRAME & COVER PARTS	Refer to 5.2 Frame & Cover Parts	1	-	-
5.1-2	-	PANEL-CONTROL & DRAWER	Refer to 5.5 Control & Drawer	1	-	-
5.1-3	-	ASSY-FRAME FRONT	Refer to 5.4 Ass'y Frame Front	1	-	-
5.1-4	DC90-05266A	ASSY TUB&DRUM	AEGIS3,WF0600WJV/YAH	1	PC	SNA
5.1-5	DC67-00230D	HOSE-WATER	AEGIS-PJT,EPDM,ID4.5,OD8,T1.75,L6 35,BLK,-	1	PC	SNA

Material list to main parts,Model name: WF0600WJV/YAH

Service Bom (SA: SERVICE AVAILABLE, SNA: SERVICE NOT AVAILABLE)

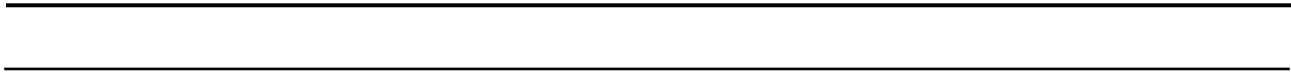
SVC Code	Code No.	Description	Specification	QTY	Un	SA/SNA
W0611	DC60-40146A	BOLT-SPANER	-,CR,-,T2.5,OD36,-,-,-,-	1	PC	SA
W0614	DC67-00208A	CAP-FIXER	J1453GW/XEU,PP,1.5mm,-,-,NTR,-	1	PC	SA
W0614	DC67-00251A	CAP-FIXER	SEW-6HR115B,PP,-,-,-,-,META2-P	4	PC	SA
W0470	DC92-00520D	ASSY PCB MAIN	AEGIS3 BETTER,WF0600WJV/YAH,6.0KG, 1000RPM,220V 50HZ,Y,SMPS	1	PC	SA
W0479	DC61-02505A	CASE-PUMP	SUNNY-PJT,PP,T2.5,WHITE	1	PC	SNA
W0497	DC97-16404A	ASSY S.HOUSING DRAWER	AEGIS3,WF0602WQQ/X	1	PC	SNA
5.1-0	WF0602WKQ (U)/XTL	SET	-	1	-	-
5.1-1	-	FRAME & COVER PARTS	Refer to 5.2 Frame & Cover Parts	1	-	-
5.1-2	-	PANEL-CONTROL & DRAWER	Refer to 5.5 Control & Drawer	1	-	-
5.1-3	-	ASSY-FRAME FRONT	Refer to 5.4 Ass'y Frame Front	1	-	-
5.1-4	DC90-05266A	ASSY TUB&DRUM	AEGIS3,WF0600WJV/YAH	1	PC	SNA
5.1-5	DC67-00230D	HOSE-WATER	AEGIS-PJT,EPDM,ID4.5,OD8,T1.75,L6 35,BLK,-	1	PC	SNA

MEMO

Model name: WF0600WJV/YAH

Service Bom (SA: SERVICE AVAILABLE, SNA: SERVICE NOT AVAILABLE)

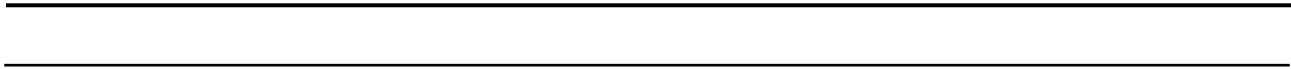
SVC Code	Code No.	Description	Specification	QTY	Unit	SA/SNA
W0603	DC97-14653B	ASSY FIXER TUB	AEGIS,WF8500NHW,SCM435,-,-,-	4	PC	SA
W0613	DC61-10673A	CAP-DRAIN	SWF-P12,PP(TB53),-,-,-,WHT,-,	1	PC	SA
W0617	DC63-01028A	COVER-BACK	WF0702NBE/XEU,GI,T0.4,W352,L5	1	PC	SA
W0606	DC97-00920C	ASSY LEG	SEW-HW108,-,-,-,-,-	4	PC	SA
W0514	DC97-15865A	ASSY CASE FILTER	SUNNY-PJT,WF9702N5W,7.0	1	PC	SA
W0248	DC61-02119A	FRAME-PLATE(U)	WF8600NMW,GI,-,-,NATURAL,	1	PC	SA
W0604	DC97-14291D	ASSY HOSE DRAIN(O)	Aegis-PJT,SSEC,-,L175	1	PC	SA
U2015	DC67-00244G	HOSE-DRAIN	AEGIS3,EPDM,ID6,OD11,T0.6,L30	1	PC	SNA
W0194	DC97-16441A	ASSY PUMP DRAIN	AEGIS 3-PJT,WF0602WKR,22	1	PC	SNA
W0479	DC61-02505A	CASE-PUMP	SUNNY-PJT,PP,T2.5,WHITE	1	PC	SA
W0213	DC63-00830A	COVER-PUMP	COVER-PUMP,PP,T2.1,W60.5,L75,	1	PC	SNA
M0022	DC31-00030A	PUMP-DRAIN	B20-6,220V,50Hz,-,HANYU	1	PC	SA
W0183	DC97-15484A	ASSY COVER TOP	Aegis-pjt,ABS+MDF,T3.2,WHT	1	PC	SA
W0607	DC96-01703A	ASSY SENSOR PRESSURE	AEGIS-PJT,-,-,DRUM	1	PC	SA
W0630	DC61-02146A	SPRING ETC-HANGER	AEGIS,HSWR,CD3.5,ID19,	2	PC	SA
W0615	DC65-00008A	CLAMPER HOSE	SEW-DR605,SK5,-,-,YEL,ID14.	4	PC	SA
W0615	DD65-00001F	CLAMPER HOSE	SDW-H120,STEEL,-,D10.5/T1.2	1	PC	SNA
W0081	DC96-00146A	ASSY POWER CORD	UCP2,250V/16A,-,1500/EUROPE	1	PC	SA
W0080	DC93-00106A	ASSY M.GUIDE WIRE HARNESS	SUNNY-PJT,WF97	1	PC	SA
W0620	DC29-00009C	FILTER EMI	DFC-2715R,P/PV/P2,250V,15,PI38.2xH60,50/60Hz	1	PC	SA
5.2-0	-	FRAME & COVER PARTS	Refer to 5.2 Frame & Cover Parts	1	-	-
5.2-1	DC61-02140A	GUIDE-SPRING	WF8500NMW,POM,T1.5,W20,L20,	2	PC	SNA
5.2-3	DC61-02121A	GUIDE-HOSE	WF8500NMW,PP(TB53),T1.5,W33,L	1	PC	SNA
5.2-4	DC97-15929E	ASSY FRAME	Aegis3-PJT,WF0702WKR/XSC,PCM,	1	PC	SNA
5.2-5	DE65-20026A	HOLDER-WIRE	-,NYLON,-,-,-,NTR,LOCK-TWIST	3	PC	SNA
5.2-6	DC63-00955A	PACKING-PUMP	AEGIS,EPDM,EPDM,T4,W25.5,L1	1	PC	SNA
5.2-7	DC63-01102A	CUSHION-PUMP(L)	AEGIS 3-PJT,BUTYL,T2.5,W	1	PC	SNA
5.2-8	DC69-01232A	PACKING-PUMP	AEGIS,EPDM,EPDM,T3,W45,L22,H21.5,B LACK,10g,--	1	PC	SNA
5.2-9	DC73-00022A	RUBBER-PACKING	SEW-HVR149ATA,EPDM,-,40,-	1	PC	SNA
5.2-10	DC63-00998A	FILTER-PUMP	WF8702LSW,PP,T2.0,W52.8,L93.	1	PC	SNA
5.2-11	DC64-01317A	HANDLE-FILTER	HANDLE-FILTER,PP,T2.5,W55,	1	PC	SNA
5.2-12	DC61-02221A	GUIDE-CUSHION	AEGIS,PP,-,W20,L40,NATURAL,-	1	PC	SNA
5.2-13	DC64-01667A	SHUTTER	AEGIS-PJT,PP,T3.0,W440,L200,NATURAL,-	1	PC	SA



Model name: WF0600WJV/YAH

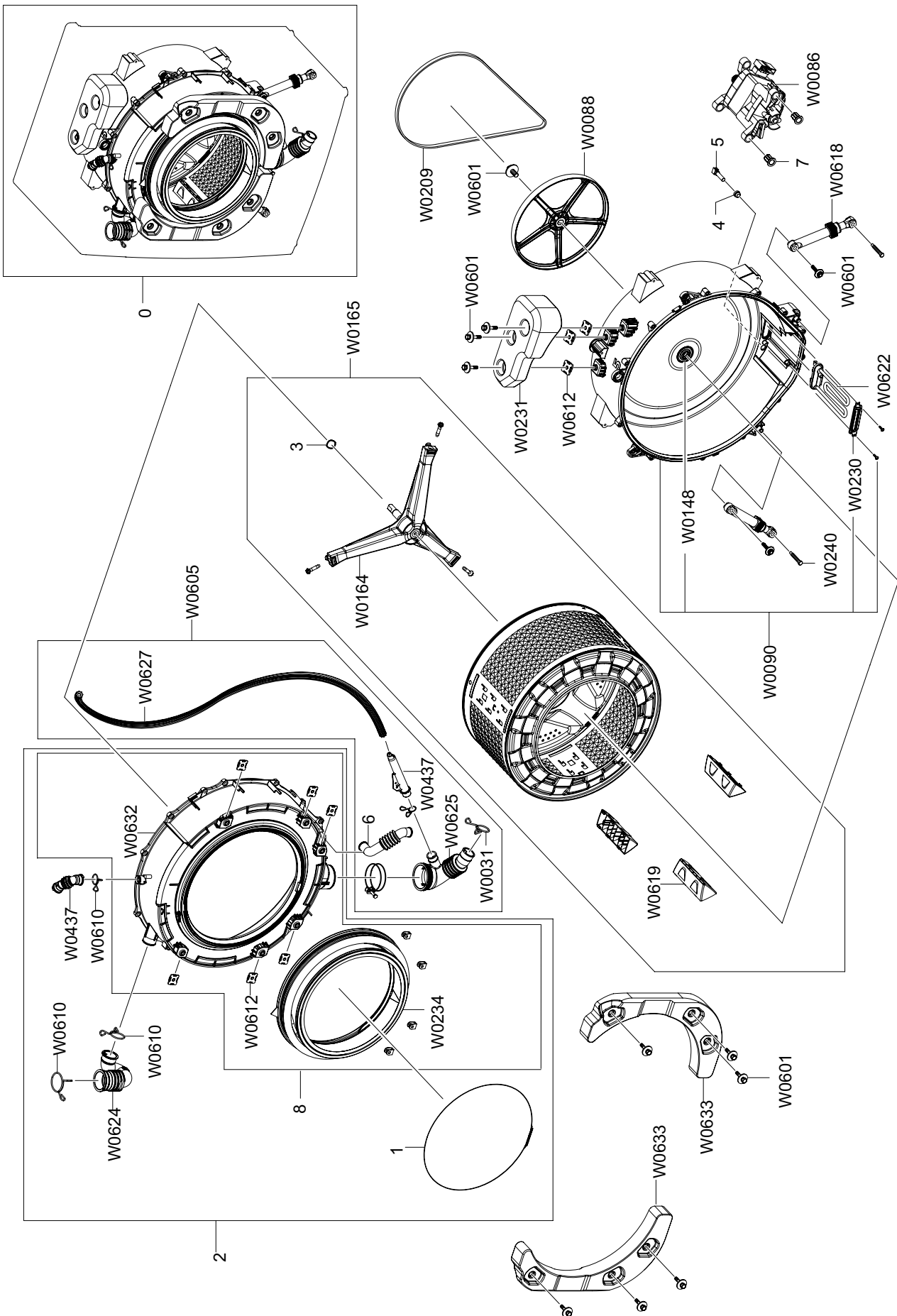
Service Bom (SA: SERVICE AVAILABLE, SNA: SERVICE NOT AVAILABLE)

SVC Code	Code No.	Description	Specification	QTY	Unit	SA/SNA
W0603	DC97-14653B	ASSY FIXER TUB	AEGIS,WF8500NHW,SCM435,-,	4	PC	SA
W0613	DC61-10673A	CAP-DRAIN	SWF-P12,PP(TB53),-,-,-,WHT,-,	1	PC	SA
W0617	DC63-01028A	COVER-BACK	WF0702NBE/XEU,GI,T0.4,W352,L5	1	PC	SA
W0606	DC97-00920C	ASSY LEG	SEW-HW108,-,-,-,-,-	4	PC	SA
W0514	DC97-15865A	ASSY CASE FILTER	SUNNY-PJT,WF9702N5W,7.0	1	PC	SA
W0248	DC61-02119A	FRAME-PLATE(U)	WF8600NMW,GI,-,-,NATURAL,	1	PC	SA
W0604	DC97-14291D	ASSY HOSE DRAIN(O)	Aegis-PJT,SSEC,-,L175	1	PC	SA
U2015	DC67-00244G	HOSE-DRAIN	AEGIS3,EPDM,ID6,OD11,T0.6,L30	1	PC	SNA
W0194	DC97-16441A	ASSY PUMP DRAIN	AEGIS 3-PJT,WF0602WKR,22	1	PC	SNA
W0479	DC61-02505A	CASE-PUMP	SUNNY-PJT,PP,T2.5,WHITE	1	PC	SA
W0213	DC63-00830A	COVER-PUMP	COVER-PUMP,PP,T2.1,W60.5,L75,	1	PC	SNA
M0022	DC31-00030A	PUMP-DRAIN	B20-6,220V,50Hz,-,HANYU	1	PC	SA
W0183	DC97-15484A	ASSY COVER TOP	Aegis-pjt,ABS+MDF,T3.2,WHT	1	PC	SA
W0607	DC96-01703A	ASSY SENSOR PRESSURE	AEGIS-PJT,-,-,DRUM	1	PC	SA
W0630	DC61-02146A	SPRING ETC-HANGER	AEGIS,HSWR,CD3.5,ID19,	2	PC	SA
W0615	DC65-00008A	CLAMPER HOSE	SEW-DR605,SK5,-,-,YEL,ID14.	4	PC	SA
W0615	DD65-00001F	CLAMPER HOSE	SDW-H120,STEEL,-,D10.5/T1.2	1	PC	SNA
W0081	DC96-00146A	ASSY POWER CORD	UCP2,250V/16A,-,1500/EUROPE	1	PC	SA
W0080	DC93-00106B	ASSY M.GUIDE WIRE HARNESS	AEGIS 3-PJT,WF	1	PC	SA
W0620	DC29-00006C	FILTER EMI	DFC-2712R,P/PV/SLIM,250V,12,P	1	PC	SA
5.2-0	-	FRAME & COVER PARTS	Refer to 5.2 Frame & Cover Parts	1	-	-
5.2-1	DC61-02140A	GUIDE-SPRING	WF8500NMW,POM,T1.5,W20,L20,	2	PC	SNA
5.2-3	DC61-02121A	GUIDE-HOSE	WF8500NMW,PP(TB53),T1.5,W33,L	1	PC	SNA
5.2-4	DC97-15137C	ASSY FRAME	AEGIS 3 PJT,WF0602WKR/XSC,GA,	1	PC	SNA
5.2-5	DE65-20026A	HOLDER-WIRE	- ,NYLON,-,-,-,NTR,LOCK-TWIST	3	PC	SNA
5.2-6	DC63-00955A	PACKING-PUMP	AEGIS,EPDM,EPDM,T4,W25.5,L1	1	PC	SNA
5.2-7	DC63-01102A	CUSHION-PUMP(L)	AEGIS 3-PJT,BUTYL,T2.5,W	1	PC	SNA
5.2-8	DC69-01232A	PACKING-PUMP	AEGIS,EPDM,EPDM,T3,W45,L22,H21.5,B LACK,10g,--	1	PC	SNA
5.2-9	DC73-00022A	RUBBER-PACKING	SEW-HVR149ATA,EPDM,-,40,-	1	PC	SNA
5.2-10	DC63-00998A	FILTER-PUMP	WF8702LSW,PP,T2.0,W52.8,L93.	1	PC	SNA
5.2-11	DC64-01317A	HANDLE-FILTER	HANDLE-FILTER,PP,T2.5,W55,	1	PC	SNA
5.2-12	DC61-02221A	GUIDE-CUSHION	AEGIS,PP,-,W20,L40,NATURAL,-	1	PC	SNA
5.2-13	DC64-01667A	SHUTTER	AEGIS-PJT,PP,T3.0,W440,L200,NATURAL,-	1	PC	SA



MEMO

5-3. ASSY TUB DRUM



Model name: WF0600WJV/YAH

Service Bom (SA: SERVICE AVAILABLE, SNA: SERVICE NOT AVAILABLE)

SVC CODE	Code No.	Description	Specification	QTY	Uint	SA/SNA
W0627	DC91-10241C	ASSY HOSE WATER	EXPORT/COLD,2.0MT,-,-	1	PC	SA
W0437	DC67-00355A	HOSE-AIR	AEGIS-PJT,EPDM,ID20.5,OD24.6,T1	1	PC	SA
W0605	DC97-14637B	ASSY HOSE PRESSURE	AEGIS-PJT,-,-,-,-,-	1	PC	SA
W0165	DC97-15972C	ASSY DRUM	AEGIS-BIGBANG,WF0600NCE,6KG,1000rpm	1	PC	SA
W0169	DC66-00523A	DRUM-LIFTER	AEGIS-PJT,PP-TI42,T2.5,-,L15	3	PC	SA
W0164	DC97-15182A	ASSY FLANGE SHAFT	AEGIS-PJT,5KG,-,1000RPM,-,-	1	PC	SNA
W0624	DC67-00334A	HOSE-DRAWER TUB	AEGIS-PJT,EPDM,ID35,OD40	1	PC	SA
W0148	DC62-00007A	SEAL-OIL	-,NBR(SD25),BLK,-,-,-,P6091/NBU15	1	PC	SA
W0622	DC47-00006X	HEATER	SU8E6547-X,HEBA Pjt,SUS 316L,2000W,8.26~9.13A,230V,25.19~27.84,208x81.4,177,Double Fuse/No Thermistor/Ceramic Coating	1	PC	SA
W0230	DC61-02199A	BRACKET-HEATER	AEGIS,STS430,T0.6,-,-,-,-	1	PC	SNA
W0612	DC61-40348B	BRACKET-NUT	SBHG-R,P1291,T3,-,-,-,NO-PAI	3	PC	SA
W0234	DC64-01664A	DOOR-DIAPHRAGM	AEGIS-PJT,EPDM,T2.0,-,-,-	1	PC	SA
W0632	DC61-02889A	TUB-FRONT	AEGIS 3,FRPP-GF15%,OD549,NTR	1	PC	SNA
W0625	DC67-00335A	HOSE-FILTER TUB	AEGIS-PJT,EPDM,ID65,OD70	1	PC	SA
W0090	DC97-15235A	ASSY SEMI TUB BACK	5KG 1000RPM,AEGIS-PJT,-,-,-,-	1	PC	SNA
W0633	DC67-00336B	WEIGHT-BALANCER(F)	AEGIS-PJT,CONCRETE,YE	2	PC	SA
W0231	DC67-00483A	WEIGHT-BALANCER(U)	AEGIS-PJT,CONCRETE,BL	1	PC	SA
W0209	6602-001535	BELT-TIMING GEAR	T3.4/1270-4J,RUBBER(GATES),T3.4,-,L1270,BLK	1	PC	SA
W0168	DC66-00343H	DAMPER-SHOCK	AEGIS-PJT,PP,70N,L197.5,BLK	2	PC	SA
W0088	DC66-00524A	PULLEY-MOTOR	AEGIS-PJT,ALDC12,ID17xW14,OD296.8,L20,5KG	1	PC	SA
W0240	DC60-40144A	BOLT-HEX	M10,L41,ZPC2(YEL),SM10C/DAMPER	2	PC	SA
W0086	DC31-00002L	MOTOR UNIVERSAL-DRUM	UMT5202.01,1400,220-240,4.0A,50,500,WF0702NBE,18000,1.86,F,52	1	PC	SA
W0610	DC72-00001H	BAND-RING	HEBA-PJT,HSWR,PI3.0,ID35,-,WHT	1	PC	SA
W0610	DC65-60118R	BAND-RING	AEGIS-PJT,HSWR,T3.0,ID36.5,-,W	1	PC	SA
W0610	DC65-60125B	BAND-RING	-,HSWR,T2.4,PI25,-,YEL,-	2	PC	SNA
W0610	DC72-00001G	BAND-RING	HEBA-PJT,HSWR,PI3.0,W21.5,ID49	1	PC	SNA
W0105	6002-001006	SCREW-TAPPING	TH,+,-,2S,M4,L12,PASS,STS4	3	PC	SNA
W0601	DC97-02412P	ASSY BOLT	AEGIS-PJT,ALL MODEL(WEIGHT-BAL	9	PC	SA
W0601	DC97-14263A	ASSY BOLT	HEBA-PJT,MOTOR/BOLT(M8)+WASHER	4	PC	SA
5.3-0	DC90-05266A	ASSY TUB&DRUM	AEGIS3,WF0600WJV/YAH	1	PC	SNA
5.3-1	DC91-12077G	ASSY CLAMP DIAPHRAGM	AEGIS,WF8500NHW/YLP	1	PC	SNA
5.3-2	DC97-16444B	ASSY SEMI TUB FRONT	AEGIS 3,WF0602WKR,6.0KG	1	PC	SNA
5.3-3	6031-001649	WASHER-WAVE	SK5(SCP1),H1.7,ID20,OD23.8,T0.5,ZPC2,AEGIS-5kg1000RPM	1	PC	SNA
5.3-4	DC69-00824A	PACKING-THERMISTOR	GW-PJT,EPDM,-,-,W17,-	1	PC	SNA
5.3-5	DC32-00010B	THERMISTOR	NTSF0123XZ004,R=3.243KΩ±2%(at	1	PC	SNA
5.3-6	DC67-00526A	HOSE-AIR TUB	AEGIS3-PJT,EPDM,T2.8,BLK	1	PC	SNA
5.3-7	DC61-01097A	BUSH-MOTOR	F1235,NYLON,-,-,-,NTR,-	2	PC	SNA
5.3-8	DC97-16447B	ASSY TUB FRONT	AEGIS 3,WF0602WKR,6.0KG	1	PC	SNA

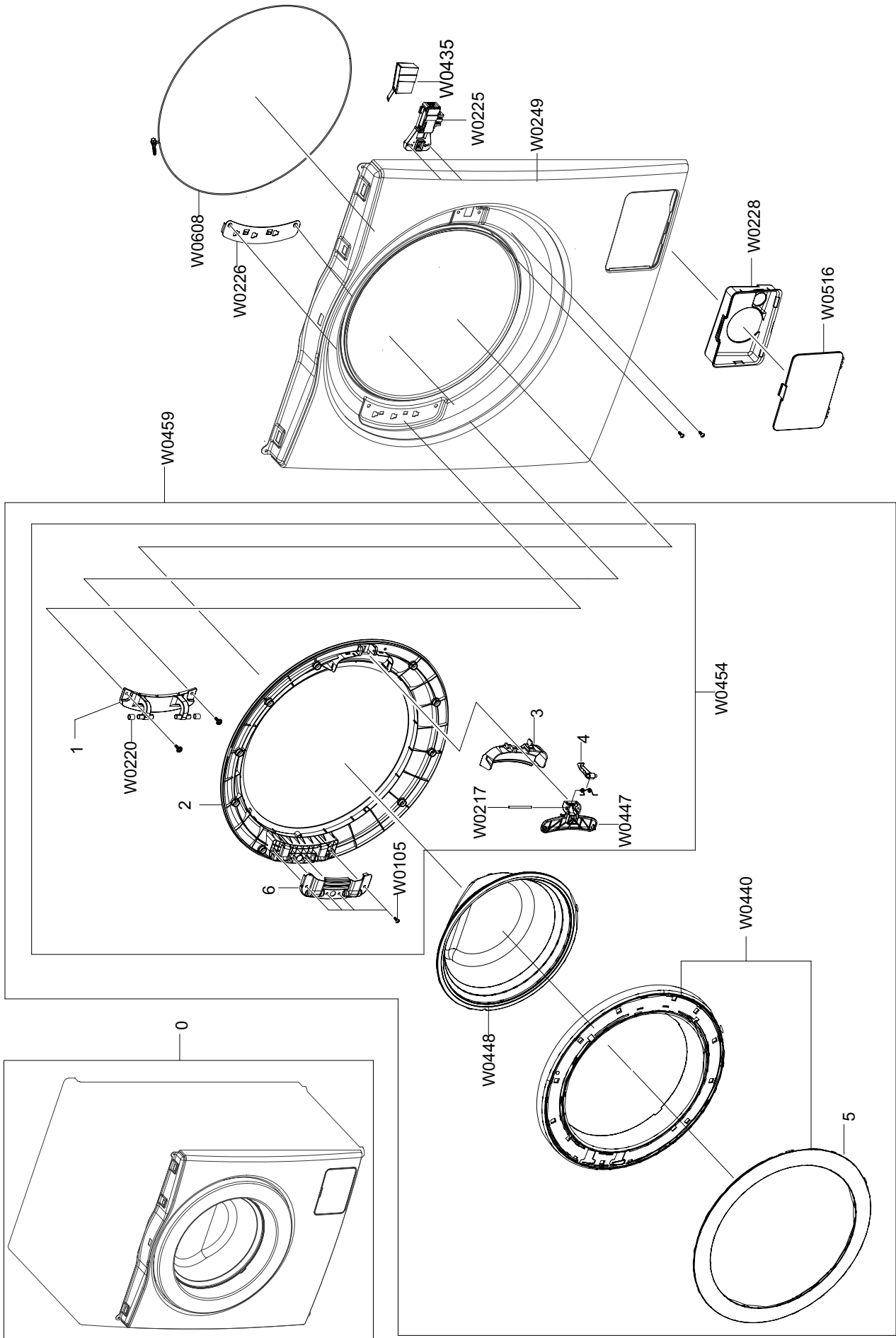
Model name: WF0600WJV/YAH

Service Bom (SA: SERVICE AVAILABLE, SNA: SERVICE NOT AVAILABLE)

SVC CODE	Code No.	Description	Specification	QTY	Uint	SA/SNA
W0627	DC91-10241C	ASSY HOSE WATER	EXPORT/COLD,2.0MT,-,-	1	PC	SA
W0437	DC67-00355A	HOSE-AIR	AEGIS-PJT,EPDM,ID20.5,OD24.6,T1	1	PC	SA
W0605	DC97-14637B	ASSY HOSE PRESSURE	AEGIS-PJT,-,-,-,-,-	1	PC	SA
W0165	DC97-15972C	ASSY DRUM	AEGIS-BIGBANG,WF0600NCE,6KG,1000rpm	1	PC	SA
W0169	DC66-00523A	DRUM-LIFTER	AEGIS-PJT,PP-TI42,T2.5,-,L15	3	PC	SA
W0164	DC97-15182A	ASSY FLANGE SHAFT	AEGIS-PJT,5KG,-,1000RPM,-,-	1	PC	SNA
W0624	DC67-00334A	HOSE-DRAWER TUB	AEGIS-PJT,EPDM,ID35,OD40	1	PC	SA
W0148	DC62-00007A	SEAL-OIL	-,NBR(SD25),BLK,-,-,-,P6091/NBU15	1	PC	SNA
W0622	DC47-00006X	HEATER	SU8E6547-X,HEBA Pjt,SUS 316L,2000W,8.26~9.13A,230V,25.19~27.84,208x81.4,177,Double Fuse/No Thermistor/Ceramic Coating	1	PC	SA
W0230	DC61-02199A	BRACKET-HEATER	AEGIS,STS430,T0.6,-,-,-,-	1	PC	SNA
W0612	DC61-40348B	BRACKET-NUT	SBHG-R,P1291,T3,-,-,-,NO-PAI	3	PC	SA
W0234	DC64-01664A	DOOR-DIAPHRAGM	AEGIS-PJT,EPDM,T2.0,-,-,-	1	PC	SA
W0632	DC61-02889A	TUB-FRONT	AEGIS 3,FRPP-GF15%,OD549,NTR	1	PC	SNA
W0625	DC67-00335A	HOSE-FILTER TUB	AEGIS-PJT,EPDM,ID65,OD70	1	PC	SA
W0090	DC97-15235A	ASSY SEMI TUB BACK	5KG 1000RPM,AEGIS-PJT,-,-,-,-	1	PC	SNA
W0633	DC67-00336B	WEIGHT-BALANCER(F)	AEGIS-PJT,CONCRETE,YE	2	PC	SA
W0231	DC67-00483A	WEIGHT-BALANCER(U)	AEGIS-PJT,CONCRETE,BL	1	PC	SA
W0209	6602-001535	BELT-TIMING GEAR	T3.4/1270-4J,RUBBER(GATES),T3.4,-,L1270,BLK	1	PC	SA
W0168	DC66-00343H	DAMPER-SHOCK	AEGIS-PJT,PP,70N,L197.5,BLK	2	PC	SA
W0088	DC66-00524A	PULLEY-MOTOR	AEGIS-PJT,ALDC12,ID17xW14,OD296.8,L20,5KG	1	PC	SA
W0240	DC60-40144A	BOLT-HEX	M10,L41,ZPC2(YEL),SM10C/DAMPER	2	PC	SA
W0086	DC31-00002L	MOTOR UNIVERSAL-DRUM	UMT5202.01,1400,220-240,4.0A,50,500,WF0702NBE,18000,1.86,F,52	1	PC	SA
W0610	DC72-00001H	BAND-RING	HEBA-PJT,HSWR,PI3.0,ID35,-,WHT	1	PC	SA
W0610	DC65-60118R	BAND-RING	AEGIS-PJT,HSWR,T3.0,ID36.5,-,W	1	PC	SA
W0610	DC65-60125B	BAND-RING	-,HSWR,T2.4,PI25,-,YEL,-	2	PC	SNA
W0610	DC72-00001G	BAND-RING	HEBA-PJT,HSWR,PI3.0,W21.5,ID49	1	PC	SNA
W0105	6002-001006	SCREW-TAPPING	TH,+,-,2S,M4,L12,PASS,STS4	3	PC	SNA
W0601	DC97-02412P	ASSY BOLT	AEGIS-PJT,ALL MODEL(WEIGHT-BAL	9	PC	SA
W0601	DC97-14263A	ASSY BOLT	HEBA-PJT,MOTOR/BOLT(M8)+WASHER	4	PC	SA
5.3-0	DC90-05266A	ASSY TUB&DRUM	AEGIS3,WF0600WJV/YAH	1	PC	SNA
5.3-1	DC91-12077G	ASSY CLAMP DIAPHGRAM	AEGIS,WF8500NHW/YLP	1	PC	SNA
5.3-2	DC97-16444B	ASSY SEMI TUB FRONT	AEGIS 3,WF0602WKR,6.0KG	1	PC	SNA
5.3-3	6031-001649	WASHER-WAVE	SK5(SCP1),H1.7,ID20,OD23.8,T0.5,ZPC2,AEGIS-5kg1000RPM	1	PC	SNA
5.3-4	DC69-00824A	PACKING-THERMISTOR	GW-PJT,EPDM,-,-,W17,-	1	PC	SNA
5.3-5	DC32-00010B	THERMISTOR	NTSF0123XZ004,R=3.243KΩ±2%(at	1	PC	SNA
5.3-6	DC67-00526A	HOSE-AIR TUB	AEGIS3-PJT,EPDM,T2.8,BLK	1	PC	SNA
5.3-7	DC61-01097A	BUSH-MOTOR	F1235,NYLON,-,-,-,NTR,-	2	PC	SNA
5.3-8	DC97-16447B	ASSY TUB FRONT	AEGIS 3,WF0602WKR,6.0KG	1	PC	SNA

MEMO

5-4. ASSY FRAME FRONT



Model name: WF0600WJV/YAH

Service Bom (SA: SERVICE AVAILABLE, SNA: SERVICE NOT AVAILABLE)

SVC CODE	Code No.	Description	Specification	QTY	Unit	SA/SNA
W0516	DC63-00920A	COVER-FILTER	WF8500NHW,ABS,T2.0,W300,L200,-,-,DA-WHT,-	1	PC	SA
W0228	DC61-02503A	GUIDE-FILTER	WF0702WKR/XSC,PP,T2.5,W300,	1	PC	SA
W0225	DC64-01538A	DOOR-LOCK S/W	ZV-446L5,PA66,T19.5,-,W95.	1	PC	SA
W0454	DC97-15192D	ASSY HOLDER GLASS	AEGIS-2,WF9592FQR,PP,T3.5,OD459.5,SIL+CR	1	PC	SA
W0226	DC61-02184A	BRACKET-HINGE	WF8500NHW,GI,T1.4,-,-,-,AE	1	PC	SA
W0448	DC64-02228A	DOOR-GLASS	WF0702NBE/XET,NON-HeatTreatment GLASS,T5.0,H100.5,NAT	1	PC	SA
W0220	DC61-00891A	GUIDE-HINGE	HAUZEN(DOM),POM,-,-,-,WHT,HI	2	PC	SA
W0447	DC64-01948B	HANDLE-DOOR	WF9604SQA,POM,T2.0,L107,DARK-GRAY,AEIGS2	1	PC	SA
W0217	DC64-00564A	HANDLE-PIN	Q1636GW/XEU,STS,-,-,-,-,TS-	1	PC	SA
W0440	DC63-00922C	COVER-DOOR	AEGIS,ABS,T2.5,OD460,-,-,-,CH	1	PC	SA
W0435	DC63-00967A	COVER-DOOR SWITCH	AEGIS-PJT/ WF8500NHW,P	1	PC	SNA
W0249	DC61-02785A	FRAME-FRONT	AEGIS-PJT,EGI-SECD,WHITE,T0.8,W675,L983,PAINTING	1	PC	SA
W0608	DC91-12078E	ASSY WIRE DIAPHRAGM	AEGIS,WF8500NHW/YLP,	1	PC	SA
W0105	6002-000471	SCREW-TAPPING	TH,+,-,1,M4,L12,PASS,STS30	2	PC	SNA
W0105	6002-000445	SCREW-TAPPING	TH,+,-,2S,M4,L18,PASS,STS4	5	PC	SNA
5.4-0		ASSY-FRAME FRONT				
5.4-1	DC61-02099A	HINGE-DOOR	WF8500NHW,ALDC,T5.0,-,L155,-,	1	PC	SNA
5.4-2	DC61-02097A	HOLDER-GLASS	WF8500NHW,PP,T3.0,OD459.5,-	1	PC	SNA
5.4-3	DC63-00924B	COVER-HANDLE	WF8500NHW,ABS,T2.2,-,L115,-	1	PC	SNA
5.4-4	DC66-00519A	LEVER-DOOR	WF8500NHW,ZNDC,T5.7,W14,L46,-	1	PC	SA
5.4-5	DC64-01947D	DECORATION-COVER DOOR	WF0752WKN,ABS,2.5mm, CR+drawbench	1	PC	SNA
5.4-6	DC61-02100A	BRACKET-HOLDER	WF8500NHW,GI,T1.4,-,-,-,A	1	PC	SNA

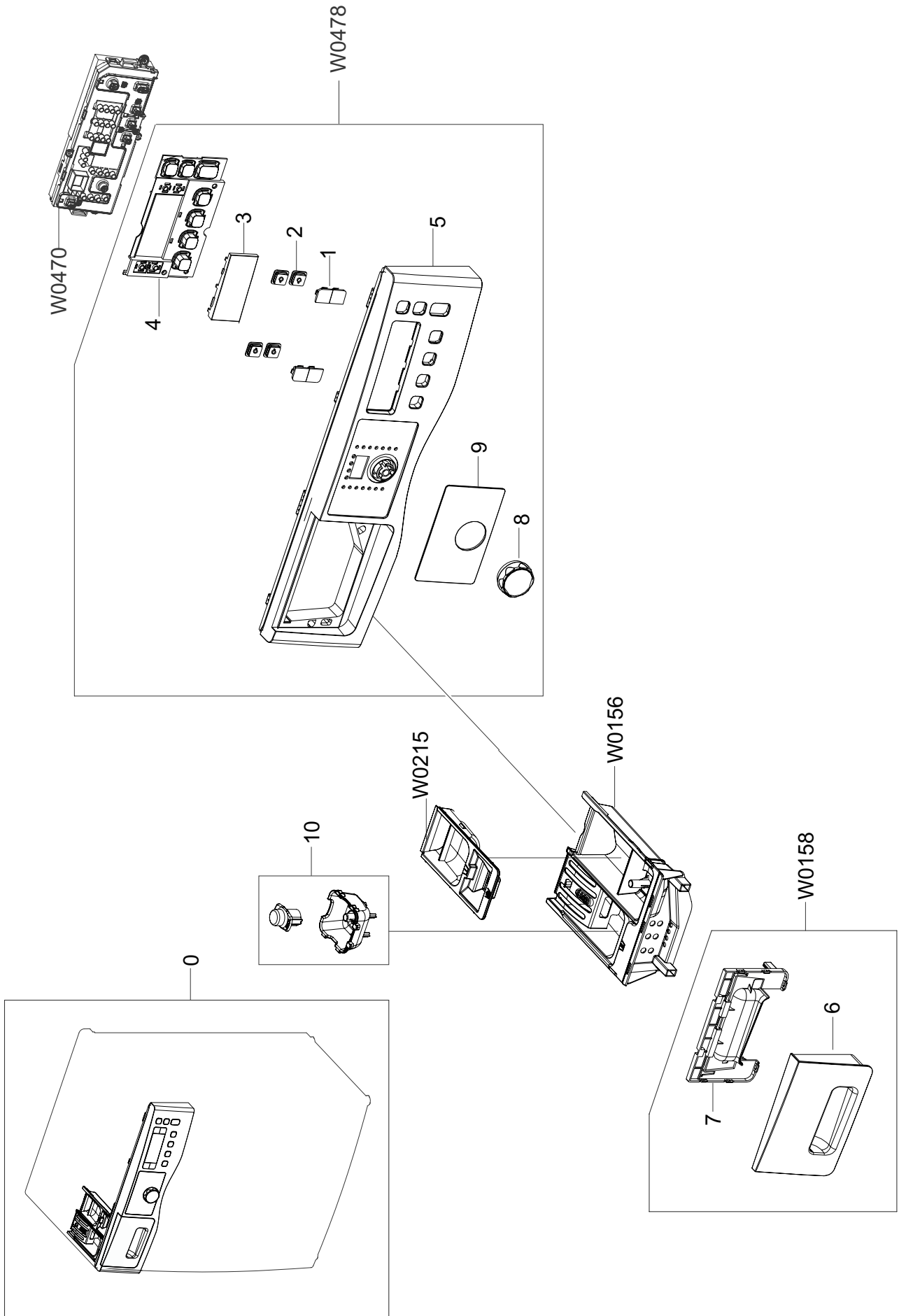
Model name: WF0600WJV/YAH

Service Bom (SA: SERVICE AVAILABLE, SNA: SERVICE NOT AVAILABLE)

SVC CODE	Code No.	Description	Specification	QTY	Unit	SA/SNA
W0516	DC63-00920A	COVER-FILTER	WF8500NHW,ABS,T2.0,W300,L200,-,-,DA-WHT,-	1	PC	SA
W0228	DC61-02503A	GUIDE-FILTER	WF0702WKR/XSC,PP,T2.5,W300,	1	PC	SA
W0225	DC64-01538A	DOOR-LOCK S/W	ZV-446L5,PA66,T19.5,-,W95.	1	PC	SA
W0454	DC97-15192D	ASSY HOLDER GLASS	AEGIS-2,WF9592FQR,PP,T3.5,OD459.5,SIL+CR	1	PC	SA
W0226	DC61-02184A	BRACKET-HINGE	WF8500NHW,GI,T1.4,-,-,-,AE	1	PC	SA
W0448	DC64-02228A	DOOR-GLASS	WF0702NBE/XET,NON-HeatTreatment GLASS,T5.0,H100..5,NAT	1	PC	SA
W0220	DC61-00891A	GUIDE-HINGE	HAUZEN(DOM),POM,-,-,-,WHT,HI	2	PC	SA
W0447	DC64-01948B	HANDLE-DOOR	WF9604SQA,POM,T2.0,L107,DARK-GRAY,AEIGS2	1	PC	SA
W0217	DC64-00564A	HANDLE-PIN	Q1636GW/XEU,STS,-,-,-,-,TS-	1	PC	SA
W0440	DC63-00922C	COVER-DOOR	AEGIS,ABS,T2.5,OD460,-,-,-,CH	1	PC	SA
W0435	DC63-00967A	COVER-DOOR SWITCH	AEGIS-PJT/ WF8500NHW,P	1	PC	SNA
W0249	DC61-02785A	FRAME-FRONT	AEGIS-PJT,EGI-SECD,WHITE,T0.8,W675,L983,PAINTING	1	PC	SA
W0608	DC91-12078E	ASSY WIRE DIAPHRAGM	AEGIS,WF8500NHW/YLP,	1	PC	SA
W0105	6002-000471	SCREW-TAPPING	TH,+,-,1,M4,L12,PASS,STS30	2	PC	SNA
W0105	6002-000445	SCREW-TAPPING	TH,+,-,2S,M4,L18,PASS,STS4	5	PC	SNA
5.4-0		ASSY-FRAME FRONT				
5.4-1	DC61-02099A	HINGE-DOOR	WF8500NHW,ALDC,T5.0,-,L155,-,	1	PC	SNA
5.4-2	DC61-02097A	HOLDER-GLASS	WF8500NHW,PP,T3.0,OD459.5,-	1	PC	SNA
5.4-3	DC63-00924B	COVER-HANDLE	WF8500NHW,ABS,T2.2,-,L115,-	1	PC	SNA
5.4-4	DC66-00519A	LEVER-DOOR	WF8500NHW,ZNDC,T5.7,W14,L46,-	1	PC	SA
5.4-5	DC64-01947A	DECORATION-COVER DOOR	AEGIS-2A,ABS,T3.0,ID364.7,OD444.7	1	PC	SNA
5.4-6	DC61-02100A	BRACKET-HOLDER	WF8500NHW,GI,T1.4,-,-,-,A	1	PC	SNA

MEMO

5-5. ASSY PANEL CONTROL



Model name: WF0600WJV/YAH

Service Bom (SA: SERVICE AVAILABLE, SNA: SERVICE NOT AVAILABLE)

SVC CODE	Code No.	Description	Specification	QTY	Unit	SA/SNA
W0478	DC97-16348J	ASSY PANEL CONTROL	AEGIS3 BETTER,WF0600WJV/YAH,6.0KG/1000RPM,DA-WHITE,TUK	1	PC	SA
W0470	DC92-00520D	ASSY PCB MAIN	AEGIS3 BETTER,WF0600WJV/YAH,6.0KG, 1000RPM,220V 50HZ,Y,SMPS	1	PC	SA
W0158	DC97-16349A	ASSY PANEL DRAWER	AEGIS3-PJT,DA WHITE	1	PC	SA
W0215	DC67-00525A	CAP-RINSE	AEGIS3,PP,T2.0,BLUE,AEGIS3-PJT	1	PC	SA
W0156	DC61-02875A	BODY-DRAWER	AEGIS 5kg~6kg,FRPP-GF15%,-,OD5	1	PC	SA
5.5-0		PANEL-CONTROL&DRAWER				
5.5-1	DC64-02496G	BUTTON-PUSH(O)	AEGIS3-PJT,ABS,DA-WHITE,PRINT(TUK)	2	PC	SNA
5.5-2	DC64-02500A	BUTTON-RUBBER	AEGIS3-PJT,SILICON,NTR,HAR	1	PC	SNA
5.5-3	DC64-02502A	WINDOW PANEL	AEGIS3-PJT,PC,T2.0,Transpar	1	PC	SNA
5.5-4	DC64-02495A	BUTTON-PUSH(F)	AEGIS3-PJT,ABS,DA WHITE	1	PC	SNA
5.5-5	DC97-16348J	PANEL CONTROL	AEGIS3 BETTER,WF0600WJV/YAH,6.0KG/1000RPM,DA-WHITE,TUK	1	PC	SNA
5.5-6	DC64-02492A	PANEL-DRAWER	AEGIS3-PJT,ABS,T2.5,DA-WHITE	1	PC	SNA
5.5-7	DC64-02493A	HANDLE-DRAWER	AEGIS3-PJT,ABS,T2.5,DA-WHITE	1	PC	SNA
5.5-8	DC97-16341B	ASSY KNOB ENCODER	AEGIS3-PJT,AL,ABS,Chromed Dark Grey	1	PC	SA
5.5-9	DC64-02501B	WINDOW DISPLAY	AEGIS3 GLOBAL-PJT,PMMA,T2.0,	1	PC	SNA
5.5-10	DC67-00536A	CAP-DRAWER	WF0702WKN/XSC,PP,T2.0,W27,L43	1	PC	SA

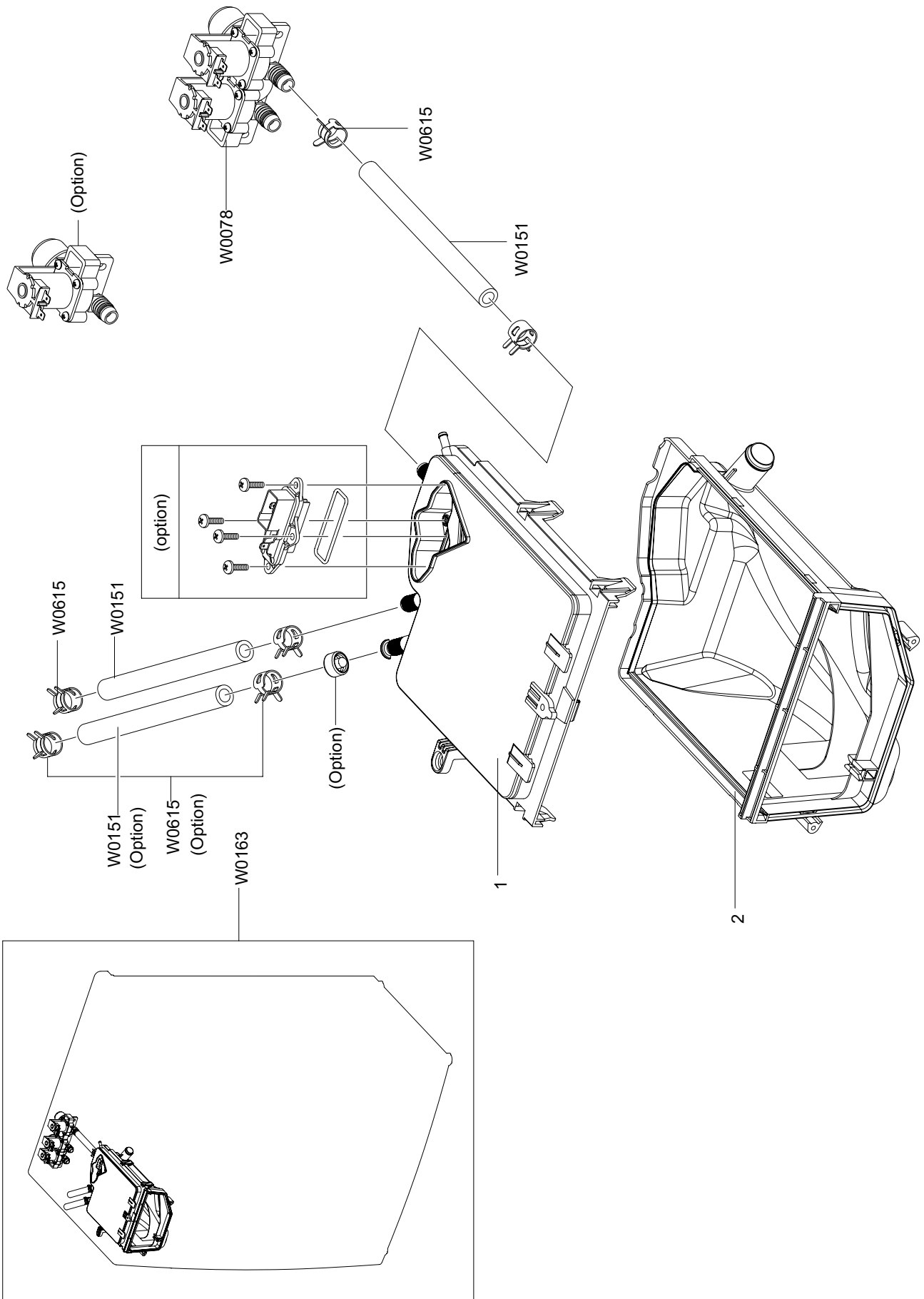
Model name: WF0600WJV/YAH

Service Bom (SA: SERVICE AVAILABLE, SNA: SERVICE NOT AVAILABLE)

SVC CODE	Code No.	Description	Specification	QTY	Unit	SA/SNA
W0478	DC97-16348J	ASSY PANEL CONTROL	AEGIS3 BETTER,WF0600WJV/YAH,6.0KG/1000RPM,DA-WHITE,TUK	1	PC	SA
W0470	DC92-00520D	ASSY PCB MAIN	AEGIS3 BETTER,WF0600WJV/YAH,6.0KG, 1000RPM,220V 50HZ,Y,SMPS	1	PC	SA
W0158	DC97-16349A	ASSY PANEL DRAWER	AEGIS3-PJT,DA WHITE	1	PC	SA
W0215	DC67-00525A	CAP-RINSE	AEGIS3,PP,T2.0,BLUE,AEGIS3-PJT	1	PC	SA
W0156	DC61-02875A	BODY-DRAWER	AEGIS 5kg~6kg,FRPP-GF15%,-,OD5	1	PC	SA
5.5-0		PANEL-CONTROL&DRAWER				
5.5-1	DC64-02496G	BUTTON-PUSH(O)	AEGIS3-PJT,ABS,DA-WHITE,PRINT(TUK)	2	PC	SNA
5.5-2	DC64-02500A	BUTTON-RUBBER	AEGIS3-PJT,SILICON,NTR,HAR	1	PC	SNA
5.5-3	DC64-02502A	WINDOW PANEL	AEGIS3-PJT,PC,T2.0,Transpar	1	PC	SNA
5.5-4	DC64-02495A	BUTTON-PUSH(F)	AEGIS3-PJT,ABS,DA WHITE	1	PC	SNA
5.5-5	DC97-16348J	PANEL CONTROL	AEGIS3 BETTER,WF0600WJV/YAH,6.0KG/1000RPM,DA-WHITE,TUK	1	PC	SNA
5.5-6	DC64-02492A	PANEL-DRAWER	AEGIS3-PJT,ABS,T2.5,DA-WHITE	1	PC	SNA
5.5-7	DC64-02493A	HANDLE-DRAWER	AEGIS3-PJT,ABS,T2.5,DA-WHITE	1	PC	SNA
5.5-8	DC97-16341B	ASSY KNOB ENCODER	AEGIS3-PJT,AL,ABS,Chromed Dark Grey	1	PC	SA
5.5-9	DC64-02501B	WINDOW DISPLAY	AEGIS3 GLOBAL-PJT,PMMA,	1	PC	SNA
5.5-10	DC67-00536A	CAP-DRAWER	WF0702WKN/XSC,PP,T2.0,W27,L43	1	PC	SA

MEMO

5-6. ASSY HOUSING DRAWER



Model name: WF0600WJV/YAH

Service Bom (SA: SERVICE AVAILABLE, SNA: SERVICE NOT AVAILABLE)

SVC CODE	Code No.	Description	Specification	QTY	Unit	SA/SNA
W0163	DC97-15204Q	ASSY HOUSING DRAWER	AEGIS 3,PP,6KG,NO AG+	1	PC	SA
W0151	DC67-00051B	HOSE-DRAWER	Q1636GW/ XEU,EPDM,ID9.0,OD14.5,-,-,BLK,-	1	PC	SNA
W0615	DD65-00001F	CLAMPER HOSE	SDW-H120,STEEL,-,D10.5/T1.2	1	PC	SNA
W0078	DC62-00024F	VALVE-WATER	B1215J,NYLON66/250TRMN,-,- ,NTR,2-WAY(220~240V50/60HZ) ELBI	1	PC	SA
5.6-1	DC97-16404A	ASSY S.HOUSING DRAWER	AEGIS3,WF0602WQQ/X	1	PC	SNA
5.6-2	DC61-02105A	HOUSING-DRAWER(L)	WF8500NHW,PP(TB53),T1.	1	PC	SA

Model name: WF0600WJV/YAH

Service Bom (SA: SERVICE AVAILABLE, SNA: SERVICE NOT AVAILABLE)

SVC CODE	Code No.	Description	Specification	QTY	Unit	SA/SNA
W0163	DC97-15204Q	ASSY HOUSING DRAWER	AEGIS 3,PP,6KG,NO AG+	1	PC	SA
W0151	DC67-00051B	HOSE-DRAWER	Q1636GW/ XEU,EPDM,ID9.0,OD14.5,-,-,BLK,-	1	PC	SNA
W0615	DD65-00001F	CLAMPER HOSE	SDW-H120,STEEL,-,D10.5/T1.2	1	PC	SNA
W0078	DC62-00024F	VALVE-WATER	B1215J,NYLON66/250TRMN,-,- ,NTR,2-WAY(220~240V50/60HZ) ELBI	1	PC	SA
5.6-1	DC97-16404A	ASSY S.HOUSING DRAWER	AEGIS3,WF0602WQQ/X	1	PC	SNA
5.6-2	DC61-02105A	HOUSING-DRAWER(L)	WF8500NHW,PP(TB53),T1.	1	PC	SA

5-7. Other part list WF0600WJV/YAH

Service Bom (SA: SERVICE AVAILABLE, SNA: SERVICE NOT AVAILABLE)

SVC CODE	Code No.	Description	Specification	QTY	Unit	SA/SNA
W0079	DC96-00814D	ASSY M. WIRE HARNESS	AEGIS3,SUB PBA,240/	1	PC	SA
W0110	DC60-60044B	WASHER-PLAIN	-,SBC,ID8.4/OD30,T2.0,-,-,-	4	PC	SA
W0254	DC99-01033K	ASSY PAINT FRAME	AEGIS-3 PJT,WF0552WKQU/ XTL,GA,T0.8,W598*H792*D395,DA- WHITE	1	PC	SA
W0437	DC67-00537A	HOSE-AIR	AEGIS3-PJT,EPDM,ID9.0,OD14.0,T2	1	PC	SA
W0457	DC97-15193W	ASSY COVER DOOR	AEGIS-3,WF0752WKN,ABS,T3.0	1	PC	SA
W0469	DC92-00522B	ASSY PCB SUB	AEGIS3 BETTER SUB,WF0600WJV/YAH,6KG 1000RPM,230V/50Hz,1000,Y,SMPS	1	PC	SA
W0503	DC96-01567C	ASSY WIRE HARNESS	AEGIS 3- PJT,WF0702WKN	1	PC	SA
W0515	DC69-01372Y	PACKING CASE-DESIGN	WF0600WJV,PPR-OTH,SW2,T7.0, W530,L651,H850,BRASSY,AEGIS 3,Turkey,6.0kg,AEGIS 3	1	PC	SA
W0609	DC93-00015A	ASSY WIRE EARTH	AEGIS,5KG,230V/50HZ,EART	1	PC	SA
W0616	DC61-00133A	CLAMPER HOSE-FIX	P1291,PP,ID24.5,OD29.5,	2	PC	SA
W0623	DC61-40081A	HOLDER-WIRE	DAWH-2NC,PA,NTR(PI18.5)	6	PC	SA
W0630	DC97-16434A	ASSY COVER DRAWER	AEGIS3,WF0702WKA/XSC,P	1	PC	SA
W0631	DC61-02947A	GUIDE-LIQUID(M)	WF0702WKA,PP,T2.0,W69,L7	1	PC	SA
W0631	DC67-00536A	CAP-DRAWER	WF0702WKN/XSC,PP,T2.0,W27,L43	1	PC	SA

5-7. Other parts list WF0600WJV/YAH

Service Bom (SA: SERVICE AVAILABLE, SNA: SERVICE NOT AVAILABLE)

SVC CODE	Code No.	Description	Specification	QTY	Unit	SA/SNA
W0079	DC96-00814D	ASSY M. WIRE HARNESS	AEGIS3,SUB PBA,240/	1	PC	SA
W0110	DC60-60044B	WASHER-PLAIN	-,SBC,ID8.4/OD30,T2.0,-,-,-	4	PC	SA
W0254	DC99-01033K	ASSY PAINT FRAME	AEGIS-3 PJT,WF0552WKQU/ XTL,GA,T0.8,W598*H792*D395,DA- WHITE	1	PC	SA
W0437	DC67-00537A	HOSE-AIR	AEGIS3-PJT,EPDM,ID9.0,OD14.0,T2	1	PC	SA
W0457	DC97-15193M	ASSY COVER DOOR	AEGIS 2,WF9592NQQ,ABS,T3.0,	1	PC	SA
W0469	DC92-00522B	ASSY PCB SUB	AEGIS3 BETTER SUB,WF0600WJV/YAH,6KG 1000RPM,230V/50Hz,1000,Y,SMPS	1	PC	SA
W0503	DC96-01567C	ASSY WIRE HARNESS	AEGIS 3- PJT,WF0702WKN	1	PC	SA
W0515	DC69-01372Y	PACKING CASE-DESIGN	WF0600WJV,PPR-OTH,SW2,T7.0, W530,L651,H850,BRASSY,AEGIS 3,Turkey,6.0kg,AEGIS 3	1	PC	SA
W0609	DC93-00015A	ASSY WIRE EARTH	AEGIS,5KG,230V/50HZ,EART	1	PC	SA
W0616	DC61-00133A	CLAMPER HOSE-FIX	P1291,PP,ID24.5,OD29.5,	2	PC	SA
W0623	DC61-40081A	HOLDER-WIRE	DAWH-2NC,PA,NTR(PI18.5)	6	PC	SA
W0630	DC97-16434A	ASSY COVER DRAWER	AEGIS3,WF0702WKA/XSC,P	1	PC	SA
W0631	DC61-02947A	GUIDE-LIQUID(M)	WF0702WKA,PP,T2.0,W69,L7	1	PC	SA
W0631	DC67-00536A	CAP-DRAWER	WF0702WKN/XSC,PP,T2.0,W27,L43	1	PC	SA

5-8. Screws list WF0600WJV/YAH

Service Bom (SA: SERVICE AVAILABLE, SNA: SERVICE NOT AVAILABLE)

Code No.	Description	Design Location	Specification	QTY	Unit	SA/ SNA
W0085	6001-001773	SCREW-MACHINE	TH,+,-,M5,L12,PASS,STS430,	2	PC	SNA
W0085	6001-000592	SCREW-MACHINE	TH,+,-,M4,L8,ZPC(WHT),SWRC	2	PC	SNA
W0102	6009-001343	SCREW-SPECIAL	PH,TORX,M4,L10,ZPC(WHT),SW	1	PC	SNA
W0105	6002-000471	SCREW-TAPPING	TH,+,-,1,M4,L12,PASS,STS30	2	PC	SNA
W0105	6002-000520	SCREW-TAPPING	TH,+,-,2,M4,L12,ZPC(WHT),S	4	PC	SNA
W0105	6002-000630	SCREW-TAPPING	PH,+,-,2S,M3,L8,ZPC(WHT),S	2	PC	SNA
W0105	6002-000239	SCREW-TAPPING	TH,+,-,NO,2S,M4,L8,ZPC(WHT),	2	PC	SNA
W0105	6002-000471	SCREW-TAPPING	TH,+,-,1,M4,L12,PASS,STS30	10	PC	SNA
W0105	6002-001436	SCREW-TAPPING	PH,+,-,2,M4,L18,ZPC(WHT),SWR	4	PC	SNA
W0105	6002-000445	SCREW-TAPPING	TH,+,-,2,M4,L18,PASS,STS304	5	PC	SNA
W0105	6002-000520	SCREW-TAPPING	TH,+,-,2,M4,L12,ZPC(WHT),S	4	PC	SNA
W0105	6002-001327	SCREW-TAPPING	PWH,+,-,1,M4,L12,ZPC(WHT),SW	2	PC	SNA
W0105	6006-001174	SCREW-TAPPING	TH,+,-,WE,2S,M4,L12,ZPC(WHT)	5	PC	SNA
W0105	6002-001436	SCREW-TAPPING	PH,+,-,2,M4,L18,ZPC(WHT),SWR	10	PC	SNA
W0105	6002-000520	SCREW-TAPPING	TH,+,-,2,M4,L12,ZPC(WHT),S	3	PC	SNA
W0105	6002-000520	SCREW-TAPPING	TH,+,-,2,M4,L12,ZPC(WHT),S	1	PC	SNA
W0105	6002-001006	SCREW-TAPPING	TH,+,-,2S,M4,L12,PASS,STS4	2	PC	SNA
W0105	6002-001377	SCREW-TAPPING	TH,+,-,WS,-,M4,L10,ZPC3 (WHT	3	PC	SNA
W0105	6002-001006	SCREW-TAPPING	TH,+,-,2S,M4,L12,PASS,STS4	3	PC	SNA
W0105	6002-000520	SCREW-TAPPING	TH,+,-,2,M4,L12,ZPC(WHT),S	1	PC	SNA
W0105	6002-001377	SCREW-TAPPING	TH,+,-,WS,-,M4,L10,ZPC3 (WHT	1	PC	SNA
W0105	6006-001174	SCREW-TAPPING	TH,+,-,WE,2S,M4,L12,ZPC(WHT)	2	PC	SNA
W0105	6002-001208	SCREW-TAPPING	TWH,+,-,1,M4,L14,ZPC(WHT),	4	PC	SNA
W0105	6006-001174	SCREW-TAPPING	TH,+,-,WE,2S,M4,L12,ZPC(WHT)	5	PC	SNA
W0105	DE60-10080A	SCREW-TAPPING	PWH,+,-,2S,M5,L9,-,SWRCH18	2	PC	SNA
	6009-001367	SCREW-HEX	HWH,+,- ,M6.5,L32,ZPC(WHT),SWRC	14	PC	SNA

5-8. Screws list WF0600WJV/YAH

Service Bom (SA: SERVICE AVAILABLE, SNA: SERVICE NOT AVAILABLE)

Code No.	Description	Design Location	Specification	QTY	Unit	SA/ SNA
W0085	6001-001773	SCREW-MACHINE	TH,+,-,M5,L12,PASS,STS430,	2	PC	SNA
W0085	6001-000592	SCREW-MACHINE	TH,+,-,M4,L8,ZPC(WHT),SWRC	2	PC	SNA
W0102	6009-001343	SCREW-SPECIAL	PH,TORX,M4,L10,ZPC(WHT),SW	1	PC	SNA
W0105	6002-000471	SCREW-TAPPING	TH,+,-,1,M4,L12,PASS,STS30	2	PC	SNA
W0105	6002-000520	SCREW-TAPPING	TH,+,-,2,M4,L12,ZPC(WHT),S	4	PC	SNA
W0105	6002-000630	SCREW-TAPPING	PH,+,-,2S,M3,L8,ZPC(WHT),S	2	PC	SNA
W0105	6002-000239	SCREW-TAPPING	TH,+,-,NO,2S,M4,L8,ZPC(WHT),	2	PC	SNA
W0105	6002-000471	SCREW-TAPPING	TH,+,-,1,M4,L12,PASS,STS30	10	PC	SNA
W0105	6002-001436	SCREW-TAPPING	PH,+,-,2,M4,L18,ZPC(WHT),SWR	4	PC	SNA
W0105	6002-000445	SCREW-TAPPING	TH,+,-,2,M4,L18,PASS,STS304	5	PC	SNA
W0105	6002-000520	SCREW-TAPPING	TH,+,-,2,M4,L12,ZPC(WHT),S	4	PC	SNA
W0105	6002-001327	SCREW-TAPPING	PWH,+,-,1,M4,L12,ZPC(WHT),SW	2	PC	SNA
W0105	6006-001174	SCREW-TAPPING	TH,+,-,WE,2S,M4,L12,ZPC(WHT)	5	PC	SNA
W0105	6002-001436	SCREW-TAPPING	PH,+,-,2,M4,L18,ZPC(WHT),SWR	10	PC	SNA
W0105	6002-000520	SCREW-TAPPING	TH,+,-,2,M4,L12,ZPC(WHT),S	3	PC	SNA
W0105	6002-000520	SCREW-TAPPING	TH,+,-,2,M4,L12,ZPC(WHT),S	1	PC	SNA
W0105	6002-001006	SCREW-TAPPING	TH,+,-,2S,M4,L12,PASS,STS4	2	PC	SNA
W0105	6002-001377	SCREW-TAPPING	TH,+,-,WS,-,M4,L10,ZPC3 (WHT	3	PC	SNA
W0105	6002-001006	SCREW-TAPPING	TH,+,-,2S,M4,L12,PASS,STS4	3	PC	SNA
W0105	6002-000520	SCREW-TAPPING	TH,+,-,2,M4,L12,ZPC(WHT),S	1	PC	SNA
W0105	6002-001377	SCREW-TAPPING	TH,+,-,WS,-,M4,L10,ZPC3 (WHT	1	PC	SNA
W0105	6006-001174	SCREW-TAPPING	TH,+,-,WE,2S,M4,L12,ZPC(WHT)	2	PC	SNA
W0105	6002-001208	SCREW-TAPPING	TWH,+,-,1,M4,L14,ZPC(WHT),	4	PC	SNA
W0105	6006-001174	SCREW-TAPPING	TH,+,-,WE,2S,M4,L12,ZPC(WHT)	5	PC	SNA
W0105	DE60-10080A	SCREW-TAPPING	PWH,+,-,2S,M5,L9,-,SWRCH18	2	PC	SNA
	6009-001367	SCREW-HEX	HWH,+,-,M6.5,L32,ZPC(WHT),SWRC	14	PC	SNA